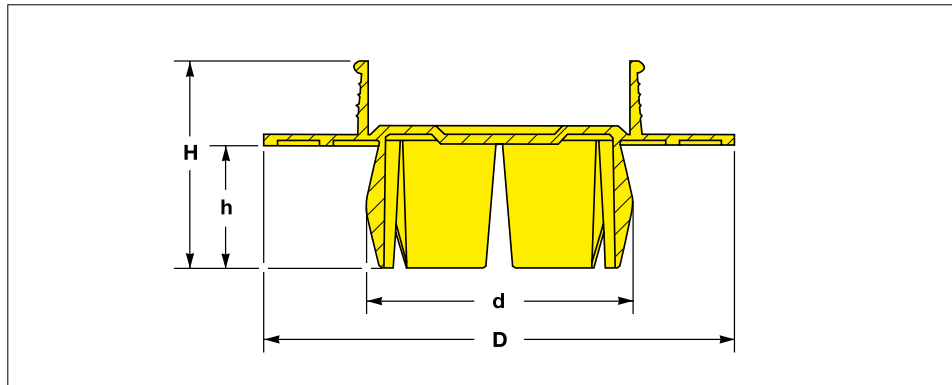


Sandblasting Flange Push-In Plugs, Nylon PA

Flange Protection during Sandblasting and Painting Operations
 Ultimate Push-In Plug for the best Raised Face Protection in the market
 ANSI · DIN



NEW

Int. Pat. Pend.

Material :
Nylon (PA 6)

Flange Protection during Sandblasting and Painting Operations
 Ultimate Push-In Plug for the best Raised Face Protection in the market

- Single push application and accurate fitting in a matter of seconds
- Can be applied to flanges with dry, clean, cold, oily or wet surface !
- Manufactured from durable and impact resistant nylon
- Heavy duty design for positive gripping power and strong fit
- Fits flanges according to DIN 2627-2638, BS 5504 and ANSI 16.5

Think Plastic. Go Protec.®



DIN

All dimensions in mm

Nominal size Ø	Nominal pressure	Raised face	Clamping range	Height	Depth	Reference-No.
		D	d	h	H	
DN 25	PN 1 – 6	62.0	26.0 – 31.0	28.0	45.0	SES 3000/ 25/ 1 – 6
DN 25	PN 10 – 100	70.0	26.0 – 31.0	24.3	41.0	SES 3000/ 25/ 10 – 100
DN 32	PN 1 – 6	70.0	34.5 – 39.5	28.0	45.0	SES 3000/ 32/ 1 – 6
DN 32	PN 10 – 40	80.0	34.5 – 39.5	28.0	45.0	SES 3000/ 32/ 10 – 40
DN 40	PN 1 – 6	80.0	40.5 – 45.5	28.0	45.0	SES 3000/ 40/ 1 – 6
DN 40	PN 10 – 100	90.0	40.5 – 45.5	28.0	45.0	SES 3000/ 40/ 10 – 100
DN 50	PN 1 – 6	92.0	52.5 – 56.5	28.0	45.0	SES 3000/ 50/ 1 – 6
DN 50	PN 10 – 100	102.7	52.5 – 56.5	28.0	45.0	SES 3000/ 50/ 10 – 100
DN 65	PN 1 – 6	110.0	67.5 – 72.5	28.0	45.0	SES 3000/ 65/ 1 – 6
DN 65	PN 10 – 100	122.0	67.5 – 72.5	28.0	45.0	SES 3000/ 65/ 10 – 100
DN 80	PN 1 – 6	128.0	77.5 – 83.0	28.0	46.1	SES 3000/ 80/ 1 – 6
DN 80	PN 10 – 100	139.0	77.5 – 83.0	28.0	46.2	SES 3000/ 80/ 10 – 100
DN 100	PN 1 – 6	150.0	102.0 – 109.0	32.2	52.9	SES 3000/100/ 1 – 6
DN 100	PN 10 – 16	161.3	102.0 – 109.0	32.2	52.8	SES 3000/100/ 10 – 16
DN 100	PN 25 – 100	165.3	102.0 – 109.0	32.2	52.7	SES 3000/100/ 25 – 100
DN 125	PN 1 – 6	180.0	126.5 – 133.5	33.0	50.0	SES 3000/125/ 1 – 6
DN 125	PN 10 – 100	188.0	126.5 – 133.5	33.0	50.0	SES 3000/125/ 10 – 100
DN 150	PN 1 – 6	204.0	153.9 – 161.0	32.2	52.7	SES 3000/150/ 1 – 6
DN 150	PN 10 – 16	216.0	153.9 – 161.0	32.2	52.7	SES 3000/150/ 10 – 16
DN 150	PN 25 – 100	220.0	153.9 – 161.0	32.2	52.7	SES 3000/150/ 25 – 100

ANSI

1. “	150 – 300 lbs.	52.0	26.0 – 31.0	24.3	41.5	SES 3000/ 1. “ / 150 – 300
1.1/4 “	150 – 300 lbs.	65.0	34.5 – 39.5	28.0	45.0	SES 3000/ 1.1/4 “ / 150 – 300
1.1/2 “	150 – 300 lbs.	75.0	40.5 – 45.5	28.0	45.0	SES 3000/ 1.1/2 “ / 150 – 300
2. “	150 – 300 lbs.	92.0	52.5 – 56.5	28.0	45.0	SES 3000/ 2. “ / 150 – 300
2.1/2 “	150 – 300 lbs.	105.0	62.0 – 67.0	28.0	45.0	SES 3000/ 2.1/2 “ / 150 – 300
3. “	150 – 300 lbs.	128.0	77.5 – 83.0	28.0	46.0	SES 3000/ 3. “ / 150 – 300
4. “	150 – 300 lbs.	161.5	102.0 – 109.0	32.3	52.8	SES 3000/ 4. “ / 150 – 300
5. “	150 – 300 lbs.	188.0	126.5 – 133.5	33.0	50.0	SES 3000/ 5. “ / 150 – 300
6. “	150 – 300 lbs.	218.0	153.9 – 161.1	33.0	50.0	SES 3000/ 6. “ / 150 – 300

Should your requirements not be shown please ask for separate quotation.
 PROTEC products and specifications are subject to improvement and change without notice.

Sandblasting Flange Push-In Plugs, Nylon PA

Flange Protection during Sandblasting and Painting Operations
 Ultimate Push-In Plug for the best Raised Face Protection in the market
 ANSI · DIN

TRIPLE ADVANTAGE of PROTEC DURA-SAFE®

QUALITY. Flange size and classification clearly marked on each plug
 After Sandblasting and/or Painting no adhesive residue clean-up from raised face required. With double Grip Tap for Easy Removal

AVAILABILITY. With over 400 million moulded components shipped from our Oststeinbek / Hamburg logistics center we provide the fastest on time delivery service to all markets and industries.

PHILOSOPHY. Innovative protective closures at the best price in the market.



NEW

Int. Pat. Pend.

Heat resistant

Material :
Nylon (PA 6)

Individual Productions :
On request we develop and produce individually tailored solutions next to the standard items of this range: additional dimensions, different materials and new colours

We would be pleased to advise you.

Think Plastic. Go Protec.®

**PROTEC
PLASTICS**